

Premier IS-2 by Clearlight®



Features

Therapeutic Infrared Heaters

Our exclusive True Wave® combination carbon/ceramic Low EMF far infrared heaters surround you in healing infrared heat.

Doctor Designed Recliner Bench

Relax in comfort in your sauna with our reversible bench. The extra deep bench is ergonomic on one side and flat on the other for maximum comfort. You can flip the bench at any time.

Elegant Details

Beautiful tongue and groove wood and attention to detail set our furniture quality sauna cabins apart.

Beautiful Accent Lights

Energy efficient LED lights highlight the beauty of your sauna while providing gentle ambient lighting.

Built-in Ergonomic Backrest

Relax close to the soothing infrared heat against the Chiropractor designed built-in ergonomic backrest.



Enhanced Audio Sound System

Bluetooth and AUX inputs makes it easy to connect and listen to your audio devices.



Beautiful Wooden Light Shade

Your sauna sessions are enhanced with the relaxing inside light for that true sauna feel.



Built-in Ergonomic Backrest

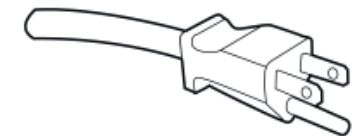
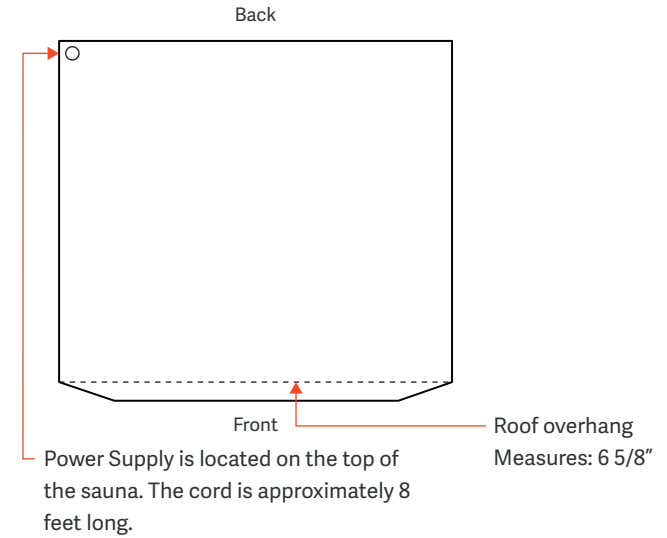
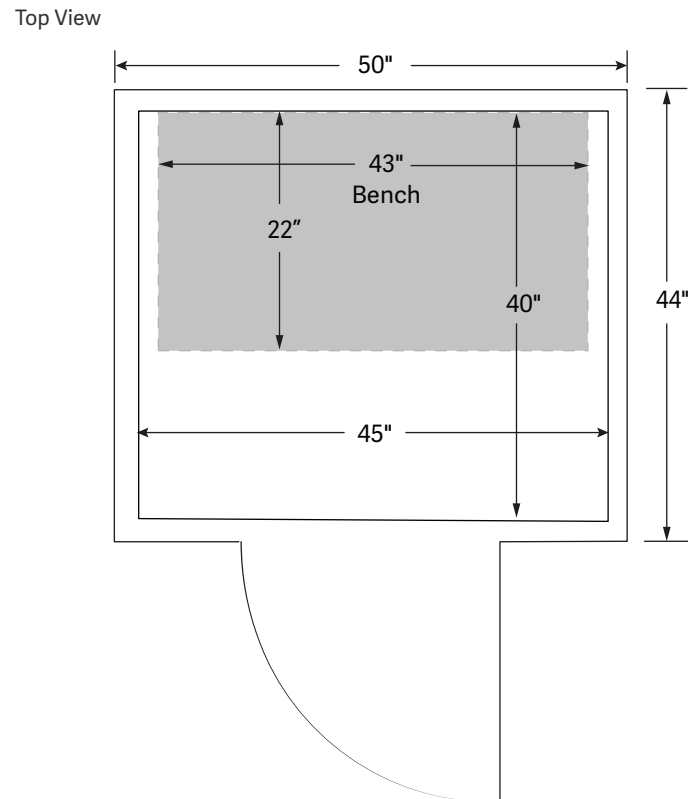
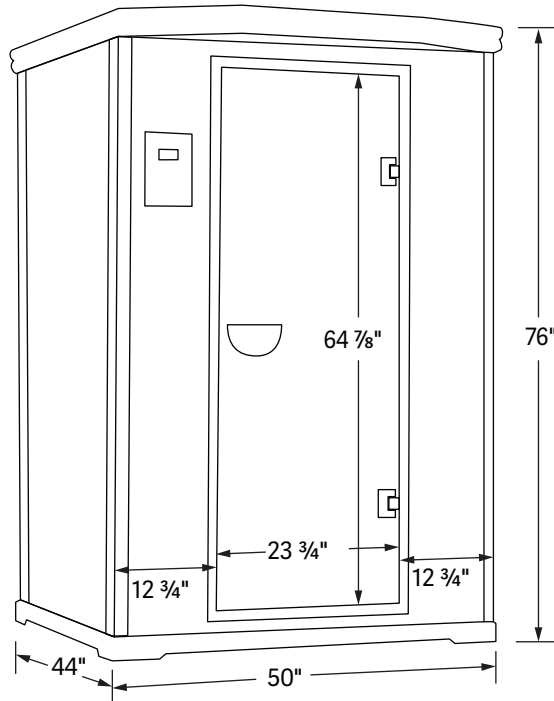
Relax close to the soothing infrared heat against the Chiropractor designed built-in ergonomic backrest.



Exclusive Under Floor Foot Heater

All Clearlight Premier Saunas include a heater underneath the wood floor to enhance your sauna session.

Premier IS-2 by Clearlight®



120 V / 15 Amps Electrical circuit required.
NEMA 5-15

Specifications

Construction

Eco-Certified wood choices:
1. Mahogany Exterior/Interior
2. Basswood Exterior/Interior
Tongue & Groove Construction
Weight: 395 lbs

Exterior

Width: 50"
Depth: 44"
Height: 76"
Roof overhang: 6 5/8"
Door: 23 3/4" x 64 7/8"

Interior

Width: 45"
Depth: 40"
Height: 71"
Bench: 43" x 22"
Bench Height: 17 1/2"

Far Infrared Heaters

True Wave® Carbon/Ceramic
Low EMF/ELF Heaters
Power: 120V / 1,750W / 14.5A

Limited Lifetime Warranty

Cabinetry
Electrical
Heaters



Attention: make sure largest panel can fit through all access points from location entrance to sauna set up location

Premier IS-2 by Clearlight®

Individual panel sizes laying flat in inches

Panel	Length	Width	Height
Roof	50 ¼	50 ¼	3 ½
Floor	44 ¼	50	2 ¾
Left Side	71 ½	39	4
Right Side	71 ½	39	4
Back Wall	71 ½	49 ½	5
Front Wall	71 ½	49 ½	3 ¾
Overhang	71 ½	41 ½	3 ¾

What gauge wire are our saunas?

15 amp saunas are 14 AWG

20 amp saunas are 12 AWG

Single phase / 3 wire: live/neutral/ground - for 120v



Attention: Make sure sauna is assembled on a level surface

Additional Information

Recommended Clearance

4" All Around if enclosing

Add On

Can't have both upgrade heater and Red Light simultaneously

Bench Weight Limit

Bench Weight Limit 350 lbs per person

Add-Ons

If you purchase an upgrade heater or Red Light Therapy unit to place in your sauna, your electrical requirements change to the required plug: **120 V / 20 Amps Electrical circuit required. NEMA 5-20p**

